

We are so happy you chose a
hama product.

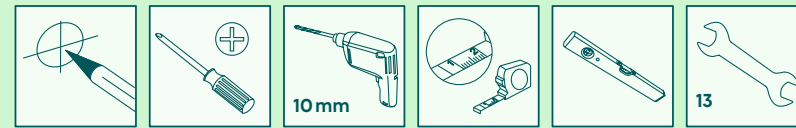
Enjoy using it!



hama

Quick Installation Guide

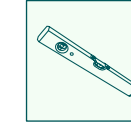
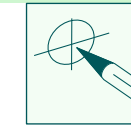
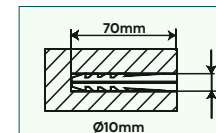
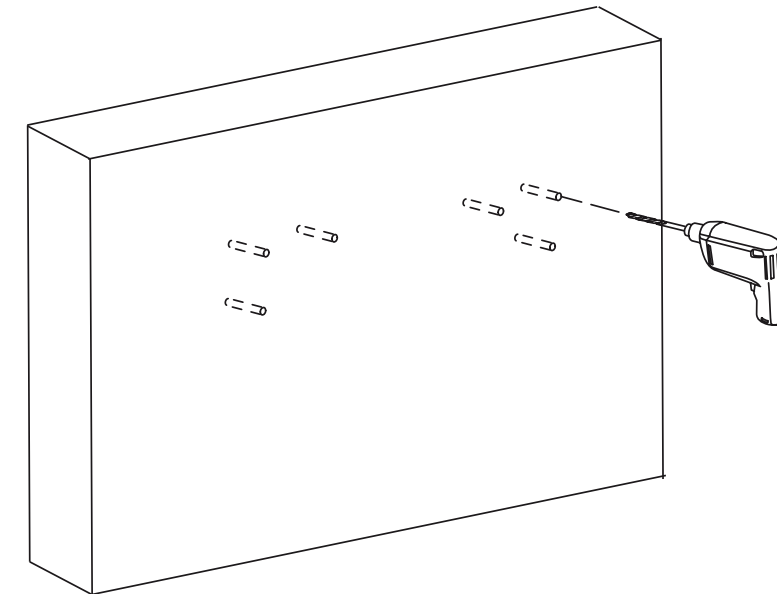
Required tools



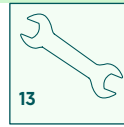
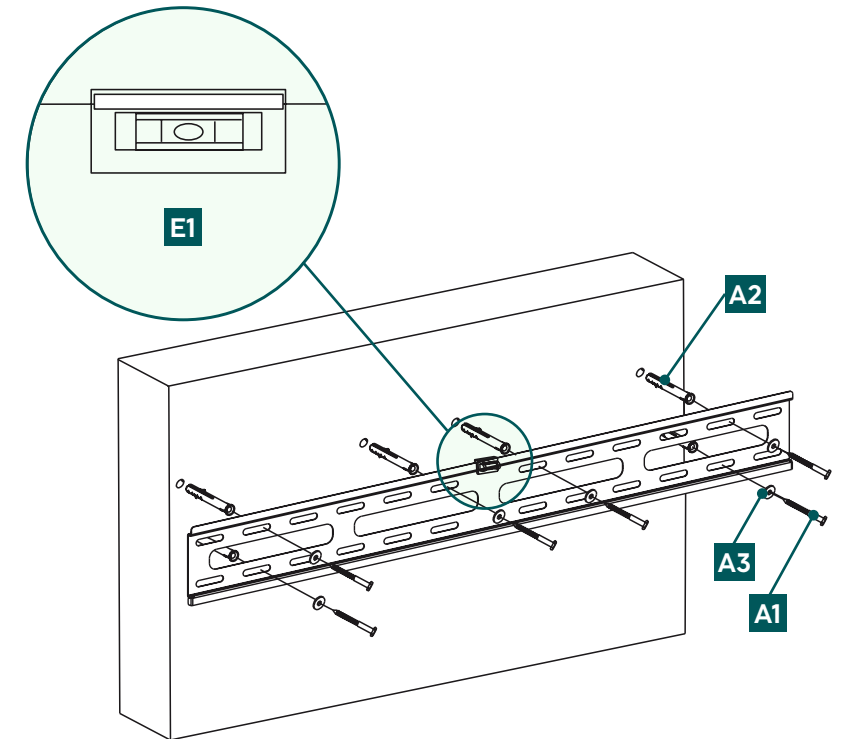
Installation kit

A1		8x70 (x6)	C2		M6x20 (x4)
A2		Ø10x60 (x6)	D1		M8x12 (x4)
A3		M8 (x6)	D2		M8x20 (x4)
B1		M6 (x4)	D3		M8x30 (x4)
B2		Ø8x10 (x4)	D4		M8x50 (x4)
B3		Ø8x20 (x4)	E1		(x1)
C1		M6x12 (x4)			

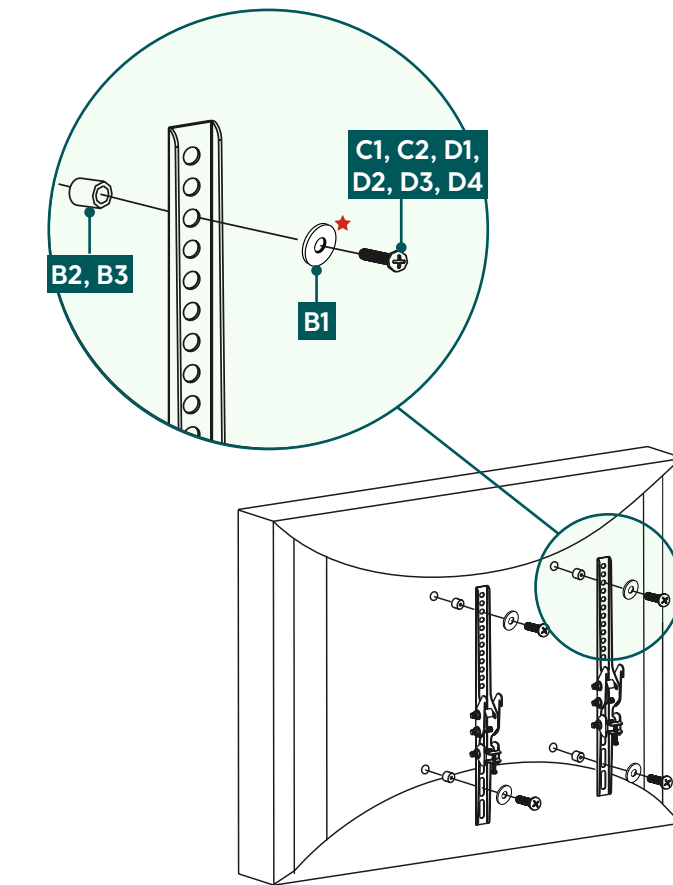
1 Drilling the holes



2 Wall mounting the bracket



3 Mounting on the TV



Flat TV backside

C1, D1, D4 + B1

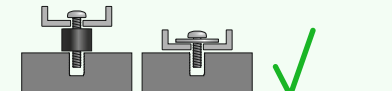
Curved TV backside

C2, D2, D4 + B1 + B2

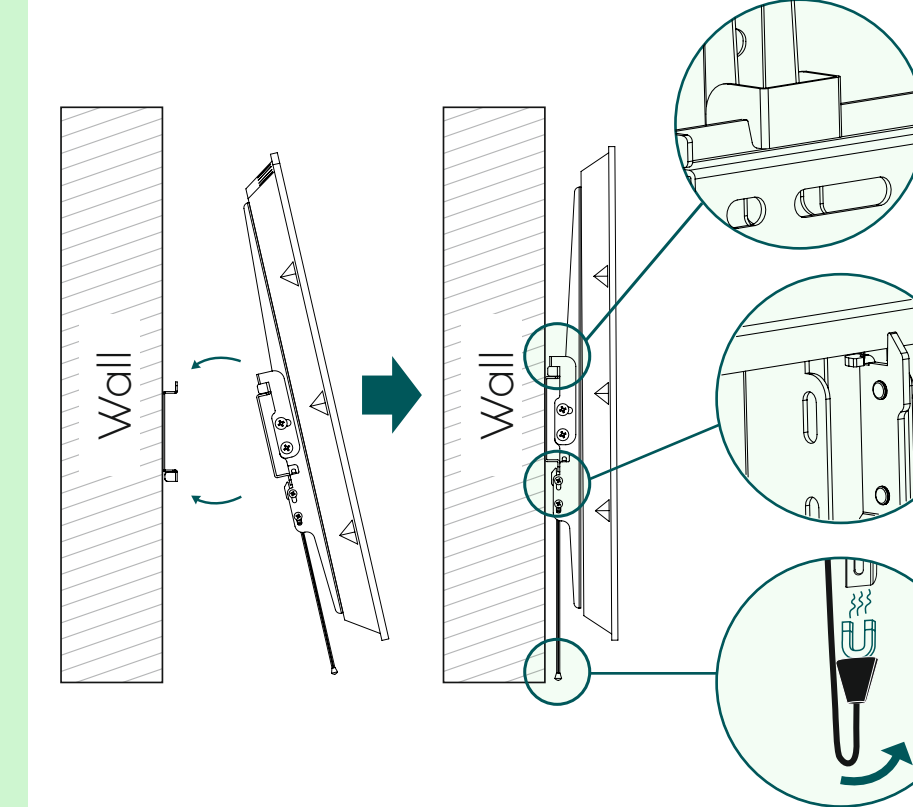
D3, D4 + B3

★ You do not need a washer for the D-screws

M8x50 + Ø8x5 = M8x45 (D4)



4 Mounting TV on bracket



Do you need more help?



Scan QR or visit:
support.hama.com/00220815

